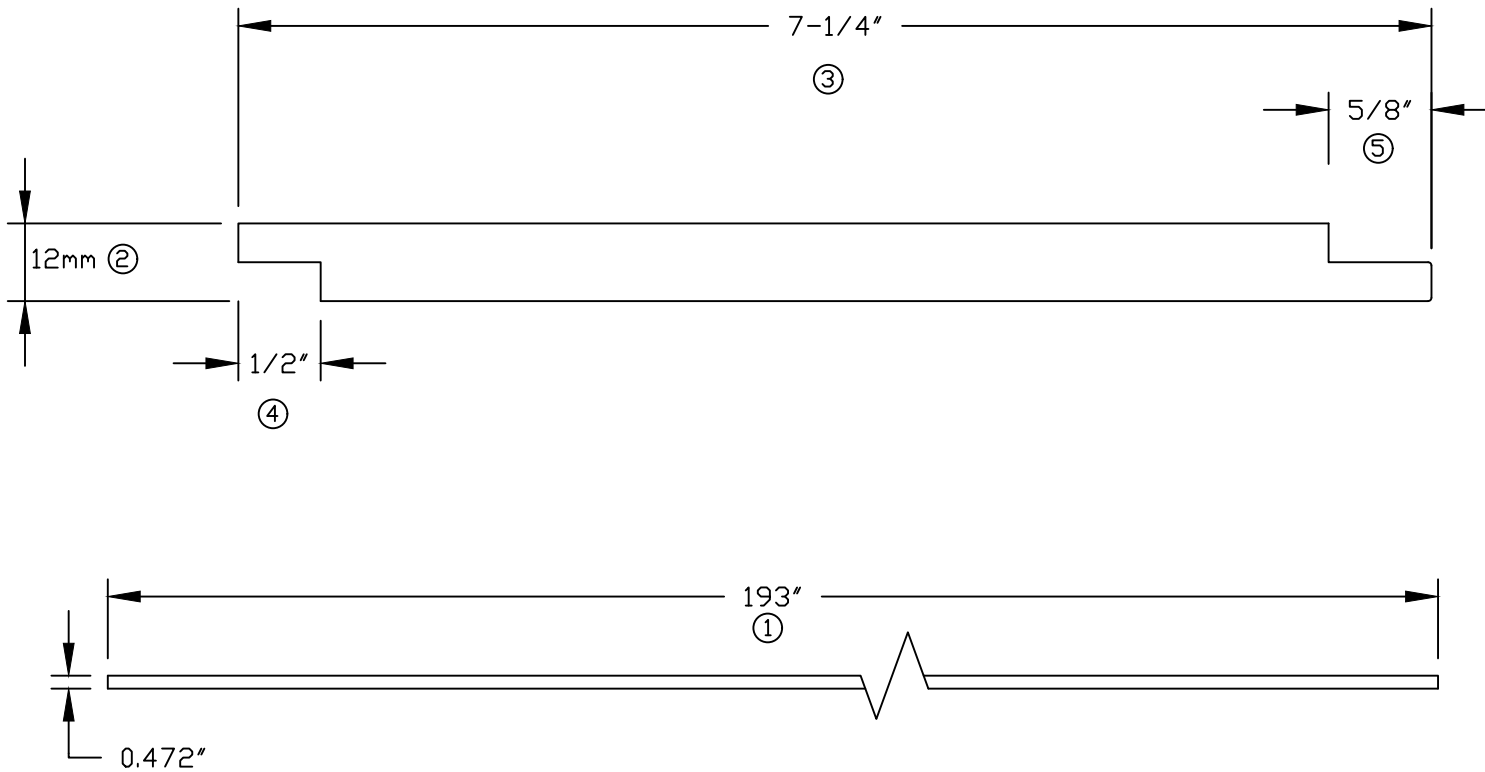



1	2	3	4	5	6	7	8	9	10	
INPUT CODE:		UPC: N/A				REVISIONS				
Unit Qty:	180	I2of5:		N/A		REV	ZONE	DESCRIPTION	DATE	APPROVED
Bundle Qty:	no sub-pack	Bag:		MJB						
Pack Spec:	30h x 6w	Pallet:		5 runners						
Notes:		12mm shiplap cutter heads								



Unless Noted, All Tolerances $\pm \frac{1}{32}$ "

	MJB Wood Group 135 Louis Hurley Road El Dorado, AR 71730 USA		ITEM CODE 90728	DRAWN BY R.SMITH	DATE 11/12/2020	REV NTS	SCALE N/A	DWG NO. N/A	FINISH PRIME 3S	SIZE A
	CUSTOMER			CUSTOMER PART NO. N/A			DESCRIPTION 12mm x 7.25" x 193" Shiplap			

1	2	3	4	5	6	7	8	9	10
---	---	---	---	---	---	---	---	---	----