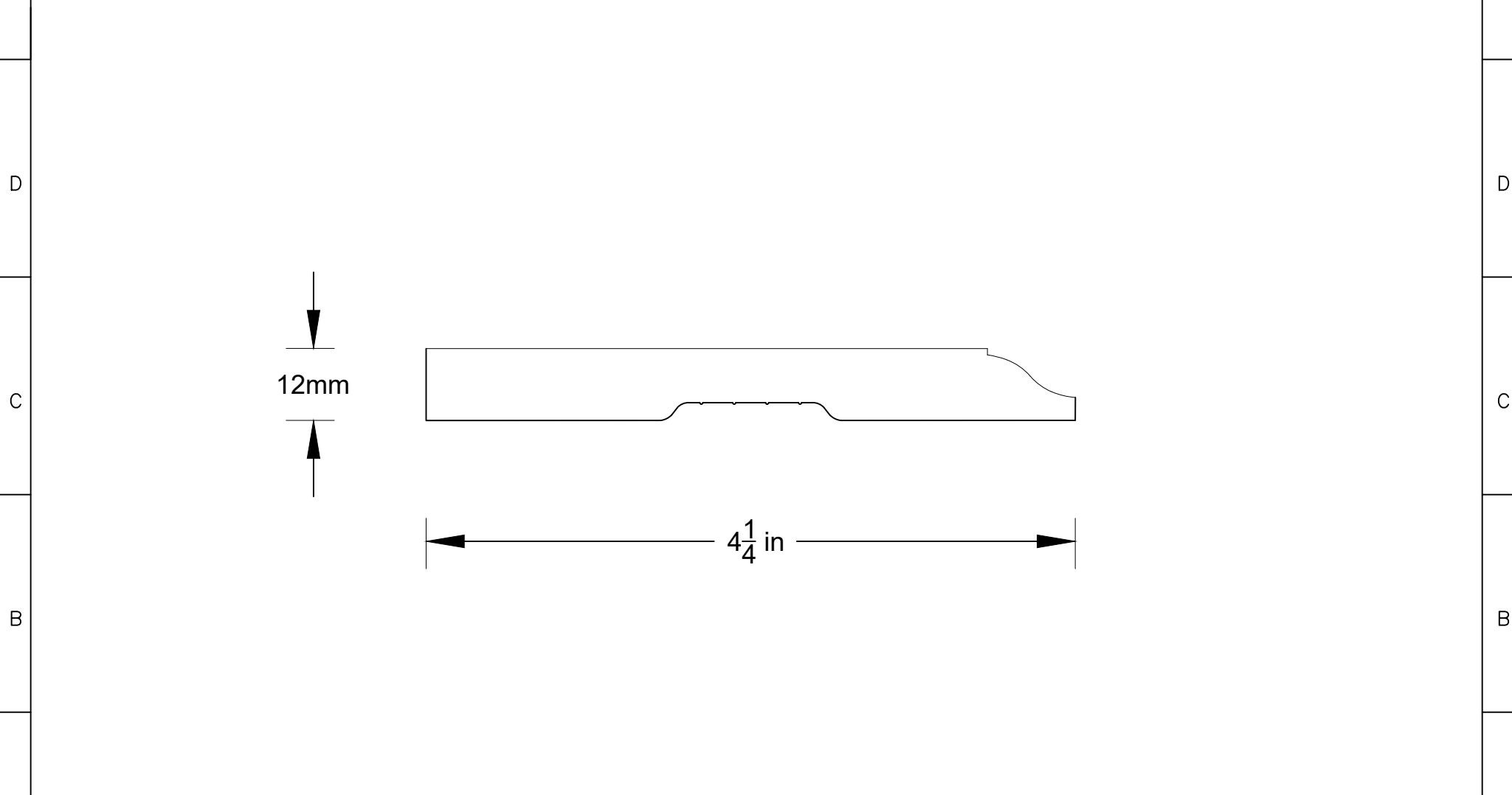



1	2	3	4	5	6	7	8	9	10
INPUT CODE: 83265		UPC: N/A		REVISIONS					
Unit Qty: 300		I2of5: N/A		REV	ZONE	DESCRIPTION	DATE	APPROVED	
Bundle Qty: 5 pcs subpack		Bag: MJB logo							
Pack Spec: 30h x 10w		Pallet: Standard Pallet							
Notes: custom cutter heads									



Unless Noted, All Tolerances $\pm \frac{1}{32}$ "

	MJB Wood Group 135 Louis Hurley Road El Dorado, AR 71730 USA		ITEM CODE 83595	DRAWN BY R.SMITH	DATE 6/15/2023	REV NTS	SCALE N/A	DWG NO. N/A	FINISH Primed 3 Sides	SIZE A
	CUSTOMER		CUSTOMER PART NO. N/A			DESCRIPTION 12mm x 4-1/4" x 193" G 620 Base				

1	2	3	4	5	6	7	8	9	10
---	---	---	---	---	---	---	---	---	----